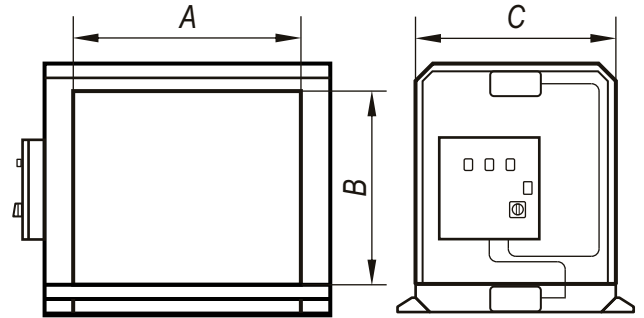




## Tunnel Metal Detectors DMT2C



Designed for detection of odd metal particles in the various products in order to control the quality of production and defend technological equipment from damage.

Installed at the enterprises of recycling, woodworking, rubber engineering, glass, textile, tobacco, cement and other industries.

Name	Frame dimensions, mm			Overall dimensions, mm
	A	B	C	
DMT2C 10x10	100	100	200	260x280x200
DMT2C 15x15	150	150		310x330x200
DMT2C 20x20	200	200	300	400x440x300
DMT2C 25x25	250	250		450x290x300
DMT2C 30x30	300	300	400	500x540x400
DMT2C 35x35	350	350		550x590x400
DMT2C 40x40	400	400	500	640x640x640
DMT2C 45x45	450	450		690x690x640
DMT2C 50x50	500	500	700	740x740x840
DMT2C 60x65	600	550		840x790x840
DMT2C 60x60	600	600	800	840x880x940
DMT2C 70x65	700	650		980x930x940
DMT2C 80x70	800	700	1000	1040x980x940
DMT2C 80x80	800	800		1040x1100x1140
DMT2C 90x90	900	900	1200	1140x1200x1140
DMT2C 100x100	1000	1000		1240x1300x1140
DMT2C 110x110	1100	1100	1200	1340x1400x1140
DMT2C 120x120	1200	1200		1440x1500x1140
DMT2C 130x130	1300	1300	1200	1540x1600x1340
DMT2C 140x140	1400	1400		1640x1700x1340
DMT2C 150x150	1500	1500		1940x1800x1340

1. It is possible to install the metal detector without cutting the conveyor belt.
2. Sensitivity of metal detectors is according to technical specification.
3. The speed of the conveyor belt is 0.3 - 3 m/s.
4. Type of signaling – light, sound, conveyor stop.
5. Power consumption up to 100 W.
6. It is possible to manufacture metal detectors taking into account the necessary requirements of the customer.

