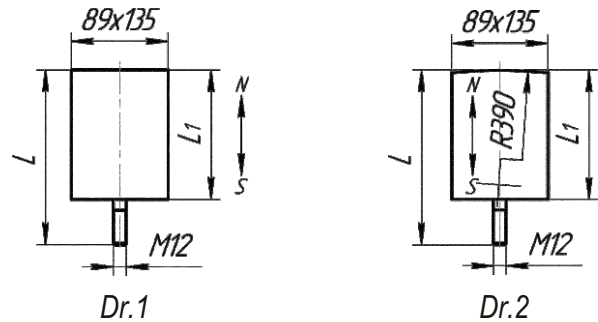




Magnetic Blocks BM 1 - 28, BM 2 - 28



Designed for application in magnetic systems of plate, drum, and other types of separators.

Name	Dr.	Dimensions, mm		Weight, kg, not more
		L	L ₁	
BM 1-28-070	1	120	78	4.24
BM 2-28-070	2			
BM 1-28-084	1	134	92	4.98
BM 2-28-084	2			
BM 1-28-098	1	148	106	5.73
BM 2-28-098	2			
BM 1-28-112	1	162	120	6.47
BM 2-28-112	2			
BM 1-28-140	1	190	148	7.96
BM 2-28-140	2			
BM 1-28-154	1	204	162	8.70
BM 2-28-154	2			
BM 1-28-168	1	218	176	9.45
BM 2-28-168	2			
BM 1-28-196	1	246	204	10.93
BM 2-28-196	2			
BM 1-28-280	1	320	288	15.40
BM 2-28-280	2			
BM 1-28-350	1	400	358	19.11
BM 2-28-350	2			

1. Main design – magnetizing direction N/S; design 01 – S/N;
2. Magnet material - ferrite grade 28CA250;
3. Magnetic induction on magnetic blocks' surface is according to technical specification.
4. Temperature mode of operation – from - 40 up to + 75°C;
5. Manufacturing of magnetic blocks accounting for customer's requirements is available.

