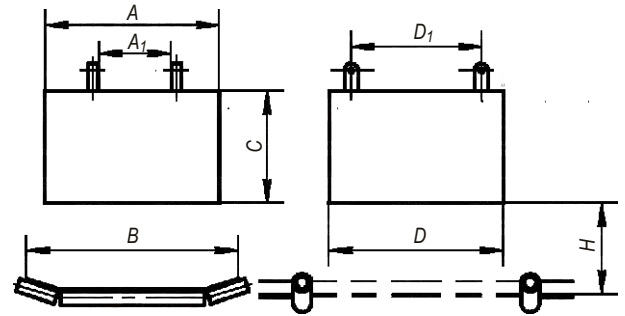




Plate Magnetic Separators PN-R



Designed for extracting ferro magnetic impurities and random metal particles (bolts, screws, etc) from dry materials that are moved by the belt-type conveyor.

Installed at the distance of 100-350 mm above the conveyor belt, depending on the height of material layer.

Name	Width of conveyor belt, B, mm	Height of suspension, H, mm	Dimensions, mm					Weight, kg
			A	D	C	A ₁	D ₁	
PN-R - 40/43	400	150	416	440	128	320	290	100
PN-R - 40/64		200		654	194		510	230
PN-R - 50/43	500	150	416	440	128	320	290	100
PN-R - 50/64		200		654	194		510	230
PN-R - 65/43	650	150	553	440	128	450	290	140
PN-R - 65/64		200		654	194		510	310
PN-R - 65/85		250		868	246		730	520
PN-R - 80/64	800	200	690	654	194	590	510	380
PN-R - 80/85		250		868	246		730	640
PN-R - 100/64	1000	200	827	654	194	730	510	460
PN-R - 100/85		250		868	246		730	780
PN-R - 120/85	1200	250	964	868	246	860	730	900

1. Maximum induction on separator's operating surface is according to technical specification.
2. Speed of conveyor belt is not more than 2 m/s.
3. Manufacturing of separators accounting for customer's requirements is available.

