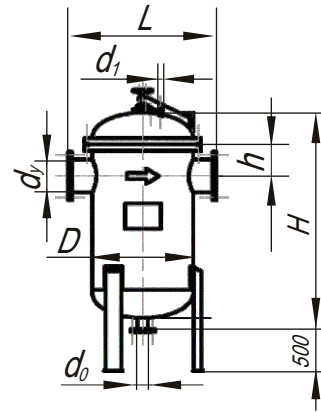




Magnetic Clarifiers-Mud Collectors OM(M) [Base]



Designed for water refinement from various non-dissolving impurities in the systems of water and heating supply, cooling systems, reverse water supply, etc.

Installed before heat exchangers, water heating boilers, on in-feed pipelines, circulating pipelines, at CHS and IHS inputs, metering stations with the aim to protect expensive equipment from corrosion and sediments.

Name	Arbitrary pass, d_y , mm	Carrying power, m^3/h	Dimensions, mm						Hydraulic resistance, kPa	Weight, kg, not more
			D	L	H	h	d_1	d_0		
Object Magnetic Clarifiers-Mud Collectors										
OM 25/125-F	125	20-35	426	680	750	150	G $\frac{1}{2}$ "	50	0,9-3,5	210
OM 30/125-F	125	25-45	480	730	800	200				270
OM 50/150-F	150	35-70	530	800	900	250			380	
OM 75/150-F	150	50-100	630	900	1150	300		80	2,0-8,0	500
OM 100/200-F	200	70-130	720	1100	1350	350				720
OM 130/200-F	200	90-170	830	1200	1500	400			2,0-10,0	830
OM 200/250-F	250	130-170								
Net Magnetic Clarifiers-Mud Collectors										
OMM 250/200-F	200	250	425	680	750	180	G $\frac{1}{2}$ "	80	7,0	220
OMM 400/250-F	250	400	530	800	900	200			8,0	390
OMM 600/300-F	300	600	630	900	1150	250			10,0	520
OMM 800/350-F	350	800	720	1100	1350	300	G1"	100	10,0	740
OMM 1100/400-F	400	1100	830	1200	1500	350				860
OMM 1600/500-F	500	1600	1020	1400	1700	450				1650
OMM 2000/600-F	600	2000	1220	1600	2000	550				2300
OMM 2500/800-F	800	2500	1220	1600	2300	700				2600
OMM 4000/1000-F	1000	4000	1428	1750	2500	900				2700
OMM 6000/1200-F	1200	6000	1632	2000	2800	1100				3750
OMM 9000/1400-F	1400	9000	1832	2200	3100	1300	5550			

1. The upper lid is equipped with a turning device.
2. Magnetic system from ferrite magnets (F).
3. Manufacturing of magnetic systems from neodymium magnets (N) or combined (K) magnetic systems is available.
4. Manufacturing of clarifiers accounting for customer's requirements is available.

