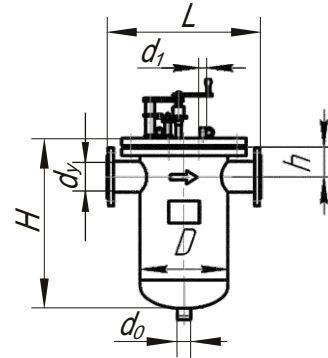




Magnetic Clarifier-Mud Collector OM(M) [Mechanical clean-up]



Designed for water refinement from various non-dissolving impurities in the systems of water and heating supply, cooling systems, reverse water supply, etc.

Installed before heat exchanges, water heating boilers, on feeding pipelines, circulating pipelines, at CHS and IHS inputs, metering stations with the aim to protect expensive equipment from corrosion and sediments.

Name	Arbitrary pass, d_y , mm	Carrying power, m^3/h	Dimensions, mm						Hydraulic resistance, kPa	Weight, kg, not more
			D	L	H	h	d_1	d_0		
Object Magnetic Clarifier-Mud Collector										
OM 2/15-ΦM	15	1-2								15
OM 2/20-FM	20	1-2								15
OM 3/25-FM	25	1.5-3.5	159	350	300	60	$G^{3/8}$	$G1$ "	0.4-2.0	16
OM 5/40-FM	40	3-6								17
OM 8/50-FM	50	5-11							0.6-2.5	45
OM 10/65-FM	65	7-14	219	430	400	90	$G1^{1/2}$ "	$G1^{1/4}$ "	0.9-3.0	50
OM 15/80-FM	80	10-20	273	520	500	100		$G1^{1/2}$ "	0.9-3.5	80
OM 20/100-FM	100	14-28	325	570	600	110		$G1^{1/2}$ "		110
Net Magnetic Clarifier-Mud Collector										
OMM 26/50-FM	50	26					$G^{3/8}$	$G1^{1/4}$ "	3.0	30
OMM 32/65-FM	65	32	159	360	300	65	$G1^{1/2}$ "	$G1^{1/2}$ "		33
OMM 46/80-FM	80	46	219	430	400	90				53
OMM 65/100-FM	100	65	273	520	500	100				86
OMM 85/125-FM	125	85						118		
OMM 150/150-FM	150	150	325	570	600	140		122		

1. Magnetic system from ferrite magnets (F).
2. Mechanical magnetic blocks' clean-up (M).
3. Manufacturing of magnetic systems from neodymium magnets (N) or combined (K) magnetic systems is available.
4. Manufacturing of clarifiers accounting for customer's requirements is available.

