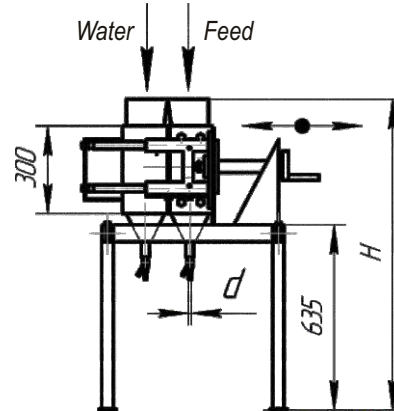




Magnetic Filters FM



Designed for extracting ferro magnetic and para magnetic materials from liquids and suspensions.

Applied in ceramics, porcelain and faience as well as in other industries.

| Name | Productivity*, m ³ /h | Dimensions of operating area, mm | | d, mm | Overall dimensions, mm | | | Weight, kg |
|--------------|-------------------------------------|----------------------------------|--------|-------|------------------------|-----|------|------------|
| | | Width | Length | | L | B | H | |
| FM- 6/12,5-H | 2.25 | 60 | 125 | G1/2" | 800 | 720 | 1070 | 160 |
| FM- 6/19-H | 3.4 | | 190 | | 900 | | | 210 |
| FM- 6/25-H | 4.5 | | 250 | 1000 | 260 | | | |

1. * At suspension moisture 70%.
2. Magnetic system from neodymium magnets.
3. Quantity of sections with a top plate - 2.
4. Material fineness -1 +0.01.
5. Manufacturing of filter accounting for customer's requirements is available.

