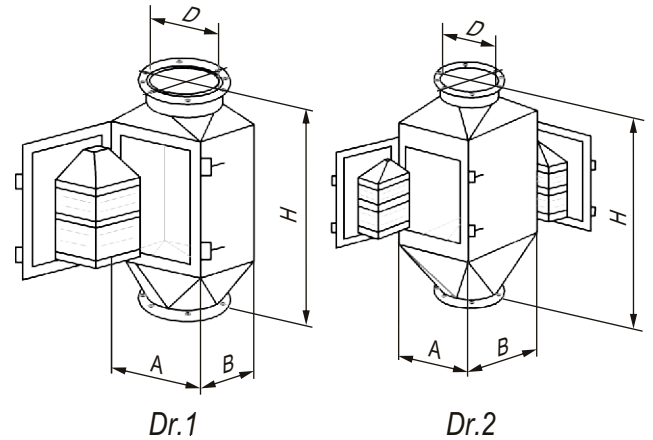




Columnar Magnetic Separator K



Designed for raw material and ready-made product refinement from ferro magnetic impurities.

Applied in mixed fodder, flour-milling, food, chemical and other industries.

Name	Productivity*, t/h	Dr.	Overall dimensions, mm				Weight, kg
			A	B	H	D	
K-30/26	5	1	300	260	700	160	40
K-39/36	10		390	360		200	70
K-47/38	20		472	376	750	280	102
K-54/38	30		536			300	120
K-47/56	50	2	470	560	1090	300	180
K-54/56	100		540		1160	320	220
K-64/56	150		640		1250	350	300

- *Maximum productivity is indicated for grain separation.
- Manufacturing of separators accounting for customer's requirements is available.

